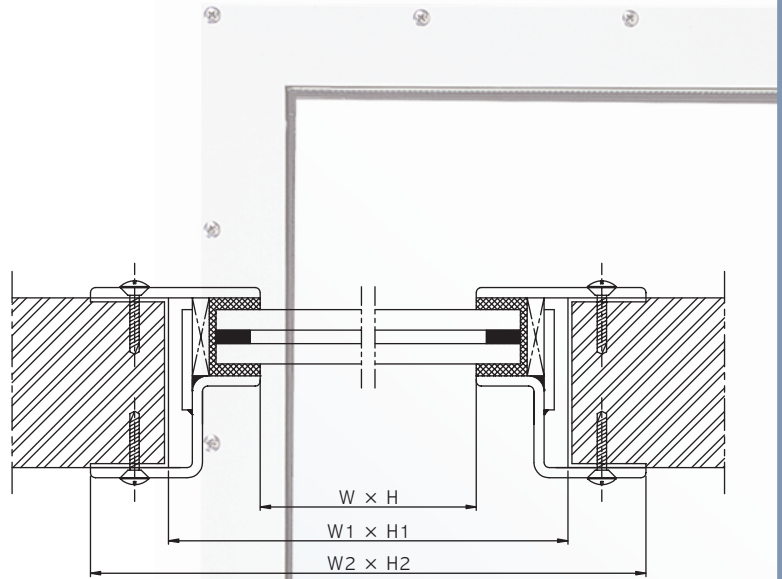
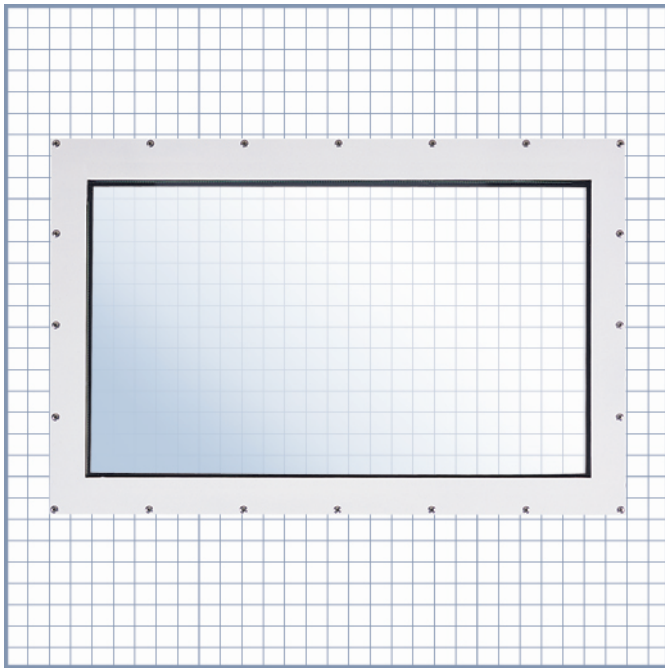


# B-15 CLASS FIRE RESISTANT WINDOW

# 1

## B-15 Class Fire Resistant Window



UNIT:mm

**DIMENSION TABLE**

Nominal Size	W1 × H1	W2 × H2
W × H	(W+54) × (H+54)	(W+100) × (H+100)
1710 × 1510 (Maximum)	1754 × 1564	1810 × 1610



**Standard**  
**Accessories**  
**Fire glass**  
**Type approval**

IMO Resolution A.754(18)  
Window box  
CONTRAFLAM LITE N2  
DNV, GL, KR, LR, NK

